



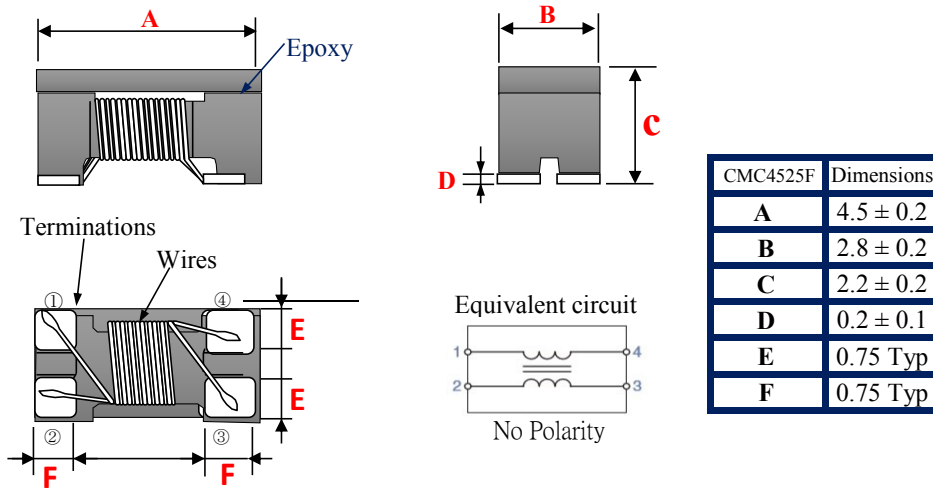
Common Mode Choke
General differential Power line

CMC F-Series

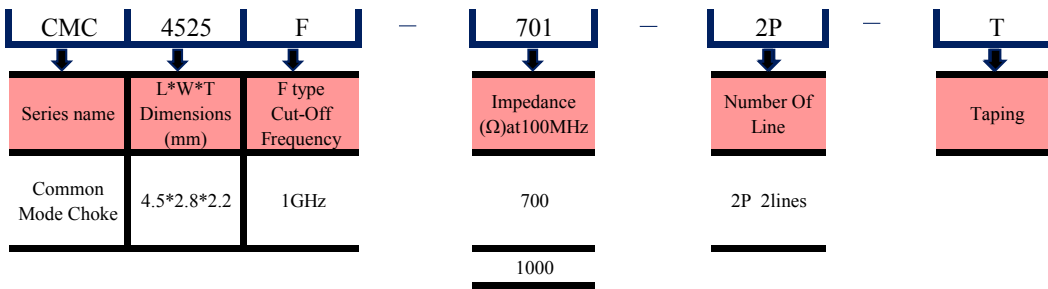
CMC4525F-Series

CMC4525F [1812 inch]

◆ SHAPE & DIMENSIONS



◆ PART NUMBER CONSTRUCTION



◆ OPERATING TEMPERATURE RANGE, PACKAGE QUANTITY.

Type	Temperature range		Reel Dimensions (mm)	Package quantity (pieces/reel)
	Operating Temperature °C	Storage Temperature °C		
CMC4525F-Series	-40 to +125	-40 to +125	ø180	500

CMC4525F-701-A20-2P-T (General differential Power line)



2020/4/18

◆ ELECTRICAL CHARACTERISTIC

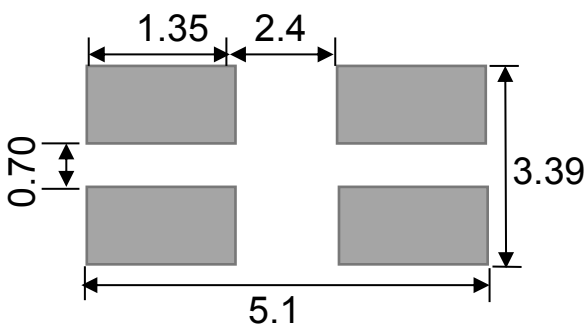
Impedance 100MHz ±25%	DC Resistance (Ω) max.	Rated Voltage (V) max.	Insulation Resistance (MΩ)min.	Rated Current (mA)max	Part No.
700	0.15	50	10	2000	CMC4525F-701-2P-T
1000	0.40	50	10	1000	CMC4525F-102-2P-T

◆ Measurement

Measurement Item	Manufacturer
Common Mode Impedance	Agilent
DC Resistance	Chroma
Insulation Resistance	Agilent / Chroma

◆ PERFORMANCE CURVES □

◆ Recommended Soldering Conditions (Please use this product by reflow)

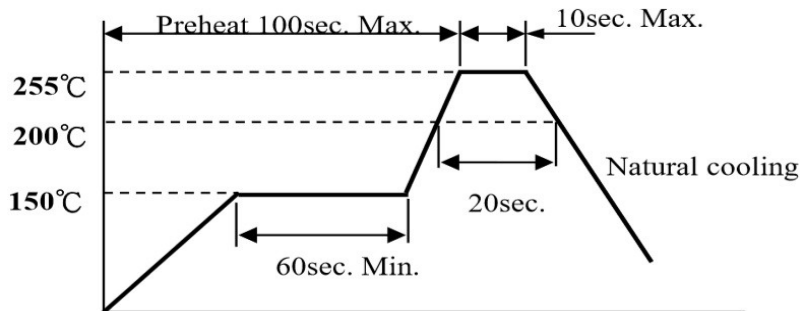


RELIABILITY

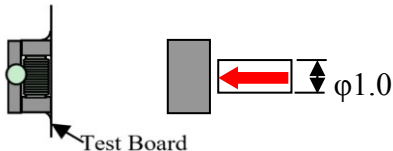


◆ RECOMMENDED REFLOW PROFILE

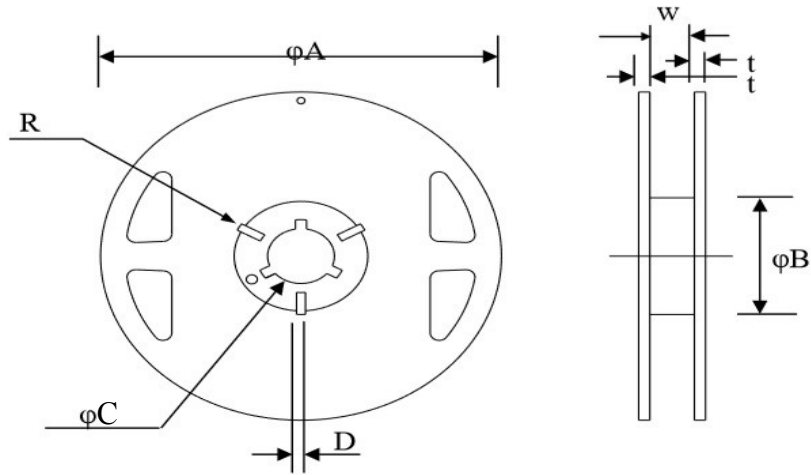
2020/4/18



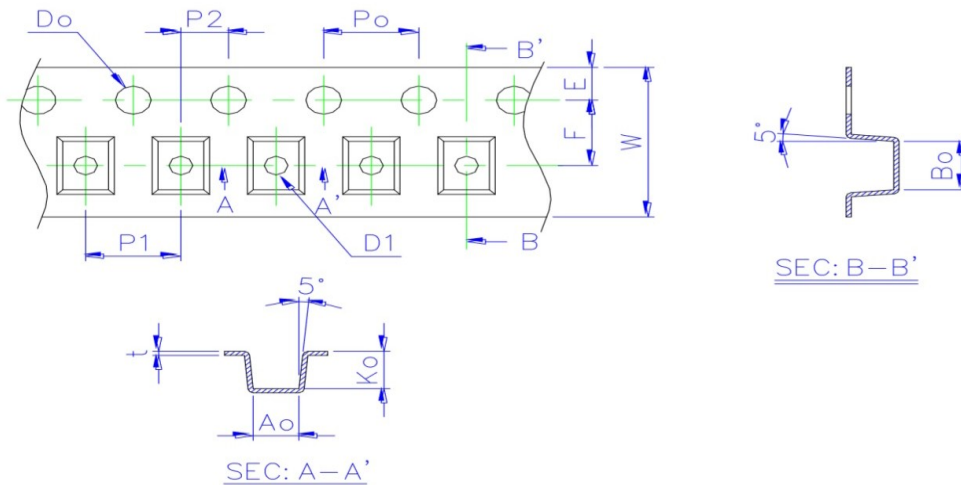
◆ MECHANICAL RELIABILITY

TEST ITEM	Specification & Requirement		Method Used
Solderability	The surface of terminal/pin tested shall be covered with new solder by 90%		Solder heat proof: Preheating: 150 ±10°C 60 seconds Soldering: 245 ±5°C for 4 ±1 sec
Solder Heat Resistance	Components should have not evidence of Impedance: within ±15% of initial value		Preheating: 150°C 60secs Flux: rosin Dip time: 10±0.5 secs
Terminal strength	Series No.	F (Kg)	Solder a chip to test substrate and then laterally apply a force in the arrow direction 
	CMC2012F/H/S	0.5	
	CMC/P3216F	1.0	
	CMC/P3225F	1.0	
	CMC/P4532F/V	1.2	
ENDURANCE RELIABILITY			
Thermal Shock □	Impedance change within ± 15% Without mechanical damage		-65°C, (30 mins) -> room temp. (2 mins) 125°C, (30 mins) -> room temp. (2 mins) 50 cycles
Humidity Resistance			Apply IDC current @ 60°C ambient Humidity: 90% Duration: 168 hrs
Low Temp. Storing			Storing Temp. -40 ±2 °C for total 168 +5/-0 hours
High Temp. Storing			Storing Temp. 125 ±2 °C for total 168 +5/-0 hours

◆ Reel Dimension & Tape Dimension



Type	A(mm)	B(mm)	C(mm)	D(mm)
7"x8mm	9.0±0.5	60±2	13.5±0.5	178±2
7"x12mm	13.5±0.5	60±2	13.5±0.5	178±2



Size	Ao(mm)	Bo(mm)	K(mm)	W(mm)	E(mm)	F(mm)	Po(mm)	P1(mm)	Do(mm)
4525	3.45±0.10	4.90±0.10	3.05±0.10	12.00±0.20	1.75±0.10	3.50±0.05	4.00±0.05	8.00±0.10	1.50+0.10/-0.00

◆ Packaging Quantity

Chip Size	4525
8mm / Reel	500