

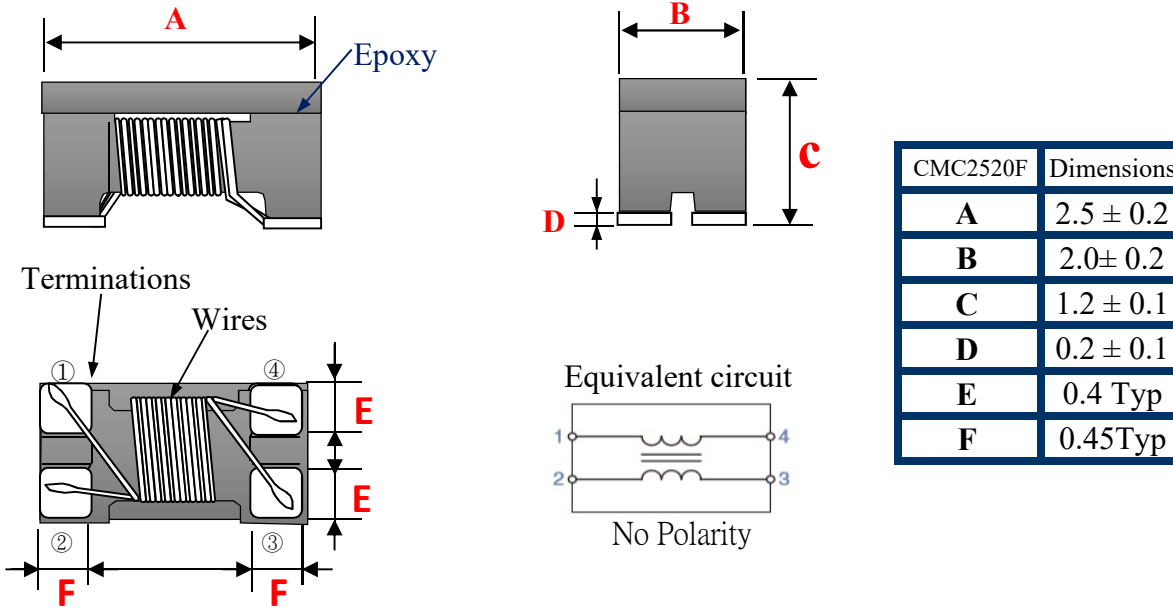
Common Mode Choke
General differential signal line

CMC F-Series

CMC2520F-series

CMC2520F [1008 inch]

◆ SHAPE & DIMENSIONS



◆ PART NUMBER CONSTRUCTION

CMC	2520	F	—	301	—	2P	—	T
Series name	L*W*T Dimensions (mm)	F type Cut-Off Frequency		Impedance (Ω)at100MHz		Number Of Line		Taping
Common Mode Choke For Power Line	2.5*2.0*1.2	1GHz		300		2P 2lines		
				450				
				600				
				1000				

◆ OPERATING TEMPERATURE RANGE, PACKAGE QUANTITY.

Type	Temperature range		Reel Dimensions (mm)	Package quantity (pieces/reel)
	Operating Temperature ℃	Storage Temperature ℃		
CMC2520F-series	-40 to +85	-40 to +85	ø180	2,000

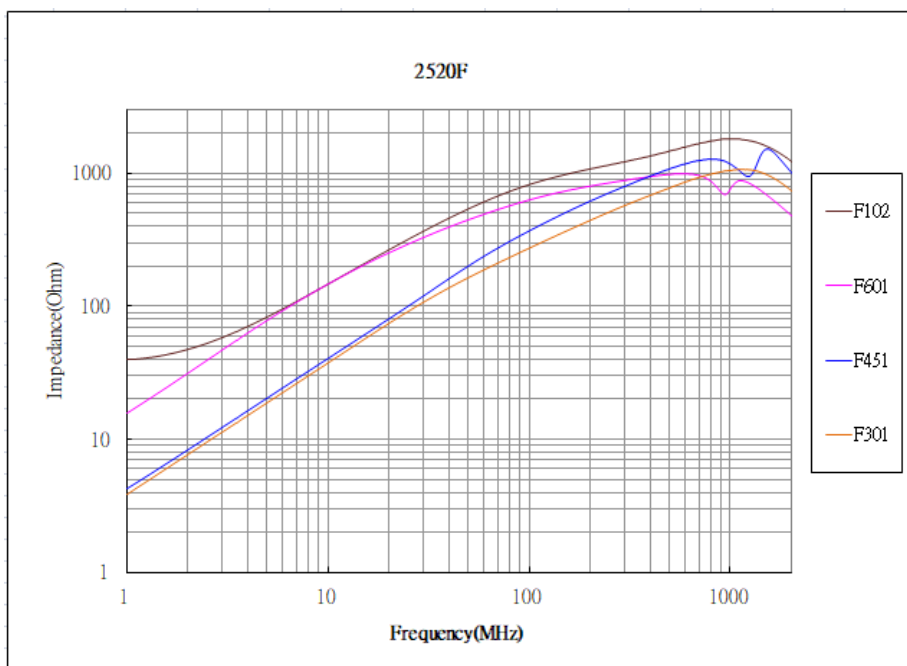
◆ ELECTRICAL CHARACTERISTICS

Impedance 【100MHz 0.1V】 (Ω)min.	DC Resistance (Ω)typ.	DC Resistance (Ω) max.	Rated Voltage (V) max.	Insulation Resistance (MΩ)min.	Rated Current (A)max.	Part No.
225	300	0.35	20	10	0.4	CMC2520F-301-2P-T
330	450	0.40	20	10	0.35	CMC2520F-451-2P-T
450	600	0.45	20	10	0.3	CMC2520F-601-2P-T
750	1000	0.90	20	10	0.2	CMC2520F-102-2P-T

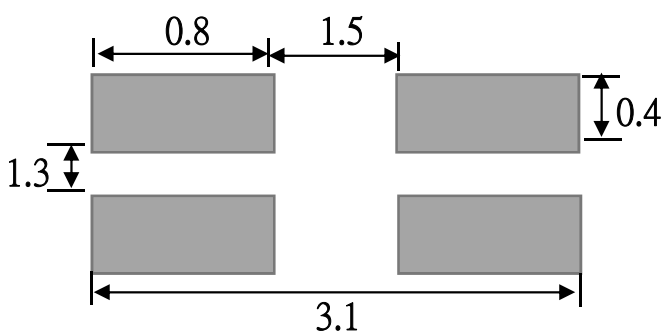
◆ Measurement Equipment

Measurement Item	Meter	Manufacturer
Common Mode Impedance	E4991A / 4287A	Agilent
DC Resistance	16502	Chroma
Insulation Resistance	4339B / 19073	Agilent / Chroma

◆ PERFORMANCE CURVES



◆ Recommended Soldering Conditions (Please use this product by reflow soldering)

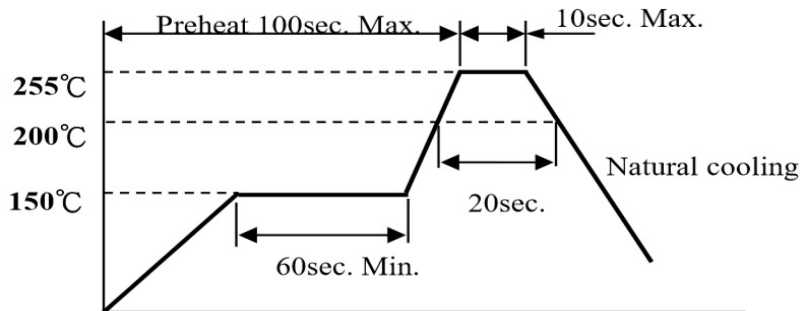


RELIABILITY

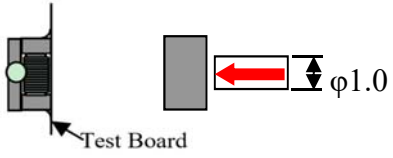


◆ RECOMMENDED REFLOW PROFILE

2018/10/16



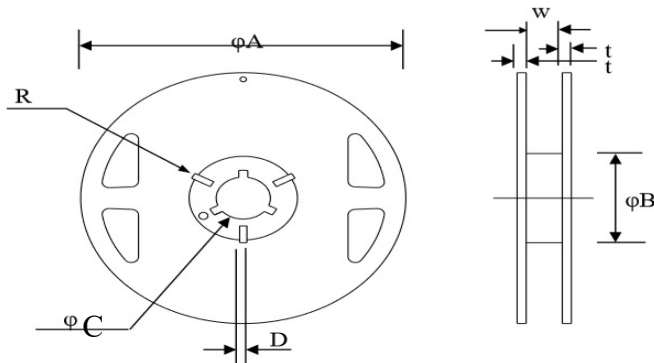
◆ MECHANICAL RELIABILITY

TEST ITEM	Specification & Requirement		Method Used
Solderability	The surface of terminal/pin tested shall be covered with new solder by 90%		Solder heat proof: Preheating: 150 ±10°C 60 seconds Soldering: 245 ±5°C for 4 ±1 sec
Solder Heat Resistance	Components should have not evidence of Impedance: within ±15% of initial value		Preheating: 150°C 60secs Flux: rosin Dip time: 10±0.5 secs
Terminal strength	Series No.	F (Kg)	Solder a chip to test substrate and then laterally apply a force in the arrow direction 
	2012	0.5	
	2520	1.0	
	3216	1.0	
	3225	1.0	
	4532	1.2	

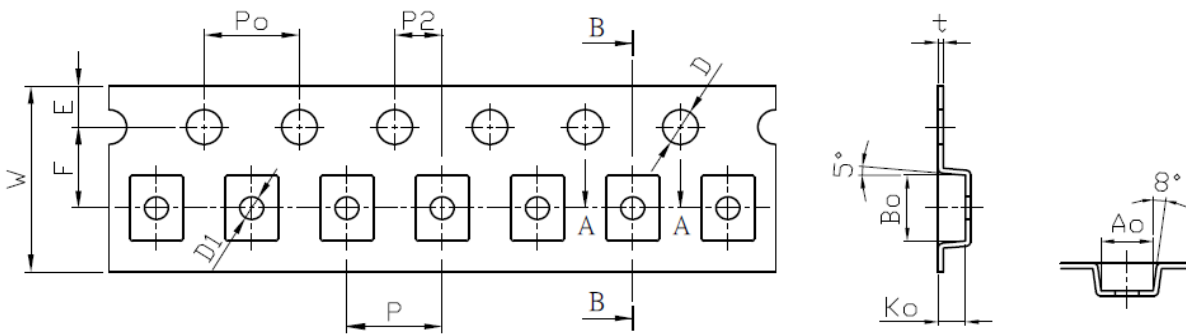
ENDURANCE RELIABILITY

Thermal Shock	Impedance change within ± 15% Without mechanical damage	-65°C, (30 mins) -> room temp. (2 mins) 125°C, (30 mins) -> room temp. (2 mins) 50 cycles
Humidity Resistance		Apply IDC current @ 60°C ambient Humidity: 90% Duration: 168 hrs
Low Temp. Storing		Storing Temp. -40 ±2 °C for total 168 +5/-0 hours
High Temp. Storing		Storing Temp. 125 ±2 °C for total 168 +5/-0 hours

◆ Reel Dimension & Tape Dimension



Type	A(mm)	B(mm)	C(mm)	W(mm)
7"x8mm	178±1.0	60±0.5	13.5±0.5	9.5±0.5



Size	A(mm)	Ao(mm)	B(mm)	Bo(mm)	Ko(mm)	W(mm)	E(mm)	F(mm)	Po(mm)	P(mm)	P2(mm)	Do(mm)	D1(mm)
2520	77	2.2±0.1	500	2.85±0.1	1.15±0.1	8.00±0.1	1.75±0.1	3.50±0.05	4.00±0.1	4.00±0.1	2.00±0.05	1.50+0.1/-0	1.00±0.1

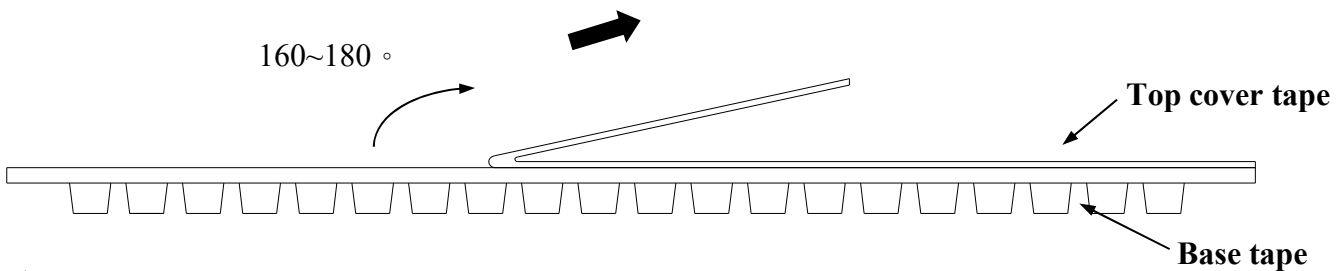
◆ Cover Tape Peel Strength

The force for tearing off cover tape is 0.05~0.69(N) in the arrow direction at the following conditions:

Temperature : 5 ~ 35°C

Humidity : 45 ~ 85%

Atmospheric pressure : 860 ~ 1060 hpa



◆ Packaging Quantity

Chip Size	2520
8mm / Reel	2000